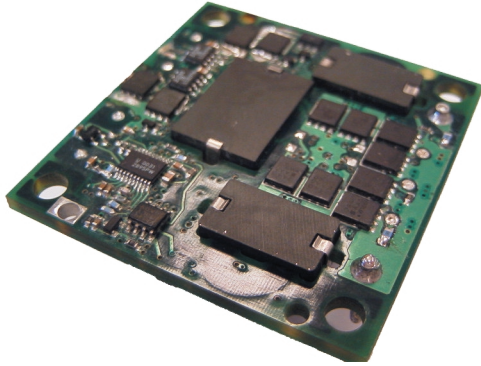


250 Watts

AEH60

ALH60 (Open Frame)



Total Power: 250 Watts
Input Voltages: 48 V
No. of Outputs: Single

Electrical Specs

Input

Input range	36-75 VDC
Input Surge	100V / 100ms
Efficiency	91%@3.3V (Typical)

Control

Enable	TTL compatible (positive & negative enable options)
--------	--

Output

Regulation (Line, Load, Temp)	<2%
Ripple and noise	2% typical (100mV p-p max)
Remote sense	Up to 10%Vout
Output voltage adjust range	+/-10% of nominal output
Transient Response	4% max deviation with 50% to 75% full load 300 μ S (max) recovery
Overvoltage Protection	130% nominal output

Special Features

- High efficiency, 3.3V@91% (Typical)
- -40°C to 100°C baseplate operating temperature
- Open Frame version also available (ALH60)
- Positive and Negative enable function
- Low output ripple and noise
- High capacitive load limit on start-up
- Remote sense compensation
- Regulation to zero load
- Fixed frequency switching (400 kHz)

Environmental

Operating temperature (baseplate):

-40°C to +100°C

Storage temperature: -55°C to +105°C

Overtemperature protection: 115°C typical

MTBF: >1 million hours

Safety

UL, CUL 1950 Recognized

TUV EN60950 Licensed

AMERICAS

5810 Van Allen Way
Carlsbad, CA 92008
Telephone: 760-930-4600
Facsimile: 760-930-0698

EUROPE

Astec House, Waterfront Business Park
Merry Hill, Dudley
West Midlands, DY5 1LX, UK
Telephone: 44 (1384) 842-211
Facsimile: 44 (1384) 843-355

ASIA

Units 2111-2116, Level 21
Tower1, Metroplaza
223, Hing Fong Road
Fwai Fong, New Territories
Hong Kong
Telephone: 852-2437-9662
Facsimile: 852-2402-4426



Ordering Information

Input Voltage	Output Voltage	Efficiency Full Load	Model Number	Availability
48V	3.3V @ 60A	88% (Min) 100°C	AEH60F48	Now
48V	2.5V @ 60A	86% (Min) 100°C	AEH60G48	Samples Available March, 2002
48V	1.8V @ 60A	84% (Min) 100°C	AEH60Y48	Samples Available January, 2002
48V	1.2V @ 60A	82% (Min) 100°C	AEH60K48	Samples Available March, 2002
48V	3.3V @ 60A	88% (Min) 85°C	ALH60F48	Now
48V	2.5V @ 60A	86% (Min) 85°C	ALH60G48	Samples Available March, 2002
48V	1.8V @ 60A	84% (Min) 85°C	ALH60Y48	Samples Available January, 2002
48V	1.2V @ 60A	82% (Min) 85°C	ALH60K48	Samples Available March, 2002

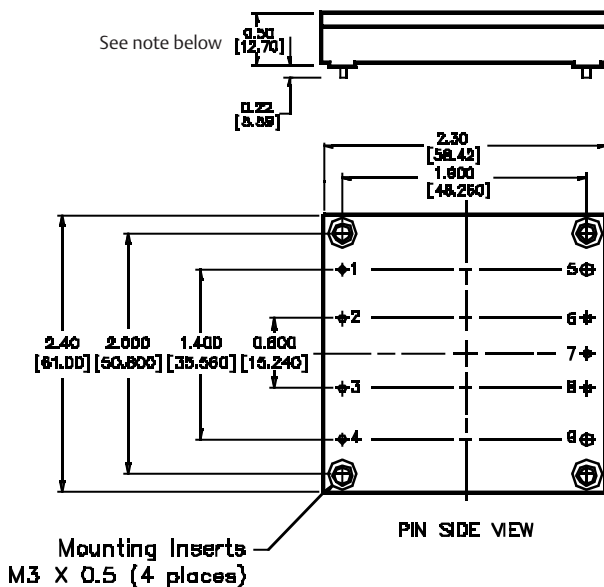
Pin Assignments

Single Output

1. -Vin
2. Case
3. Enable (on/off)
4. +Vin
5. -Output
6. - Sense
7. Trim
8. + Sense
9. +Output

Notes:

1. 20 mHz bandwidth. External 10 uF tant. capacitor + 0.1 uF cer. capacitor placed from +V out to -V out.
2. Requires a 2.2 mf, 100V film capacitor connected between +V in and -V in to meet FCC class A and ETS300-386-1 requirements for conducted noise. Consult Factory for filtering information to meet FCC class B, VDE or EIC specifications.
3. All specifications are typical at nominal line, full load, and 25°C unless otherwise noted.
4. All specifications subject to change without notice. Mechanical drawings are for reference only.
5. Technical Reference Notes should be consulted for detailed information when available.
6. Warranty: 1yr



Standard height
Pins 5 & 9 are 0.080" in diameter

Note: ALH = 0.4" height
AEH = Standard height 0.5"
with Heatsink assembly